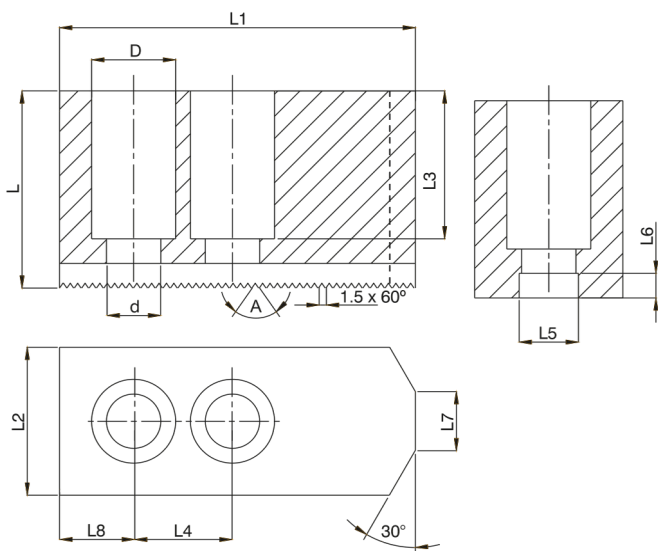
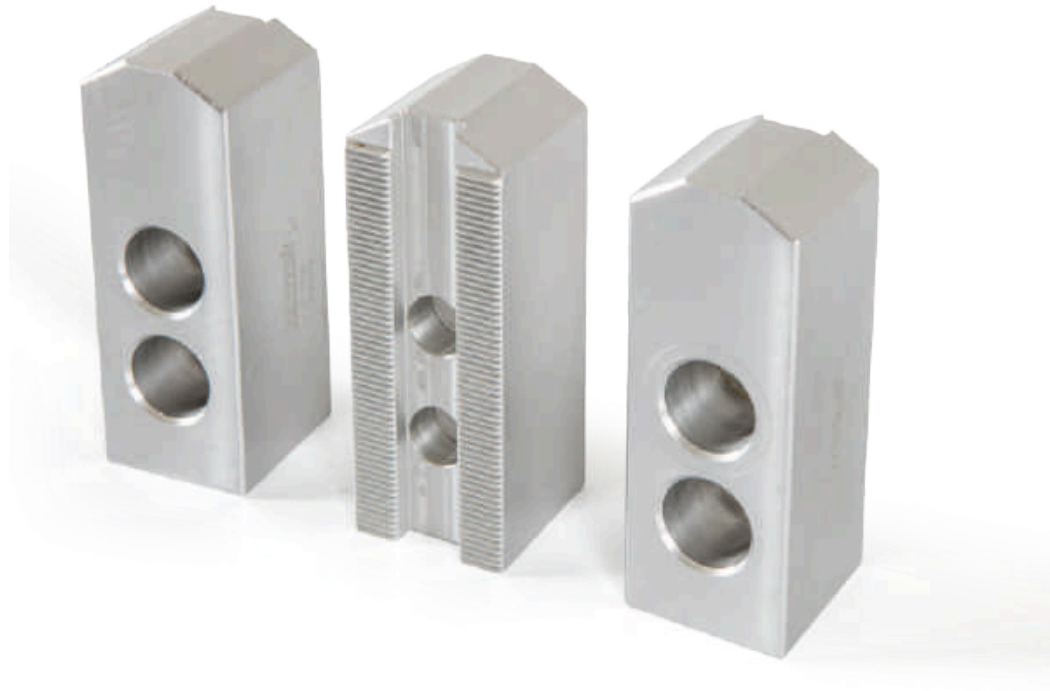


Aluminum Soft Jaws

AL / Series



Order Code	Dimensions													Weight Kg
	Chuck Dia	Serration	L	L1	L2	L3	L4	L5	L6	L7	L8	D	d	
AL 66006	6"	1.5 X 60°	32	72	30	22	20	12	5	10	15	17	11	0,7
AL 66008	8"	1.5 X 60°	37	95	35	22	25	14	5	12	24	19	13	1
AL 66010	10"	1.5 X 60°	42	110	40	29	30	16	5	14	30	19	13	1,5
AL 66012	12"	1.5 X 60°	52	130	50	32	30	21	5	16	30	25	17	2