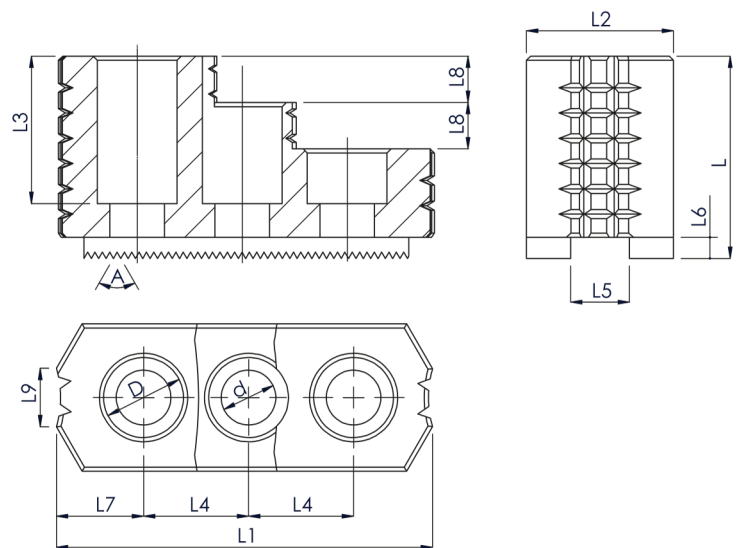


Hard Jaws



| Order Code | Dimensions | | | | | | | | | | | | | | Weight |
|------------|------------|------------|----|-----|----|----|----|----|----|----|----|----|----|----|--------|
| | Chuck Dia | Serration | L | L1 | L2 | L3 | L4 | L5 | L6 | L7 | L8 | L9 | D | d | Rg |
| S050 | 5" | 1.5" X 60° | 28 | 53 | 23 | 19 | 14 | 10 | 4 | 14 | 10 | 11 | 14 | 9 | 0,5 |
| S060 | 6" | 1.5" X 60° | 37 | 72 | 31 | 25 | 20 | 12 | 5 | 17 | 10 | 12 | 17 | 11 | 1 |
| S080 | 8" | 1.5" X 60° | 48 | 90 | 35 | 35 | 25 | 14 | 5 | 19 | 11 | 13 | 19 | 13 | 2 |
| S0100 | 10" | 1.5" X 60° | 58 | 102 | 40 | 42 | 30 | 16 | 5 | 25 | 14 | 16 | 19 | 13 | 3,5 |
| S0120 | 12" | 1.5" X 60° | 65 | 110 | 50 | 48 | 30 | 21 | 5 | 30 | 15 | 19 | 25 | 17 | 10 |
| S0150 | 15" | 1.5" X 60° | 87 | 150 | 62 | 63 | 43 | 22 | 8 | 34 | 20 | 21 | 32 | 21 | 11,5 |