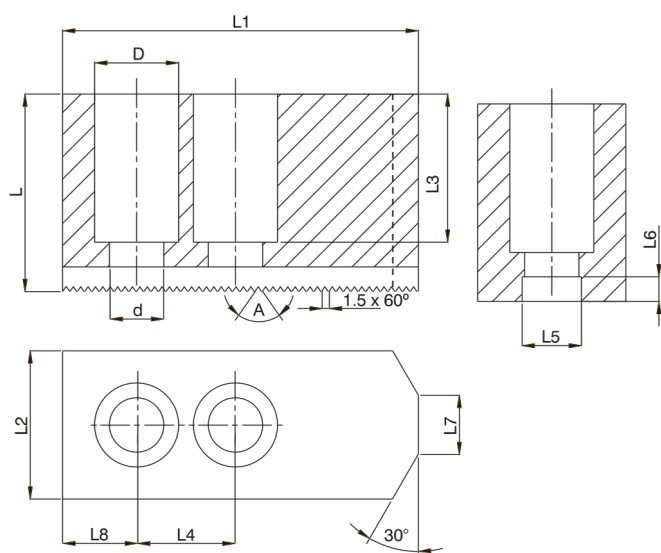
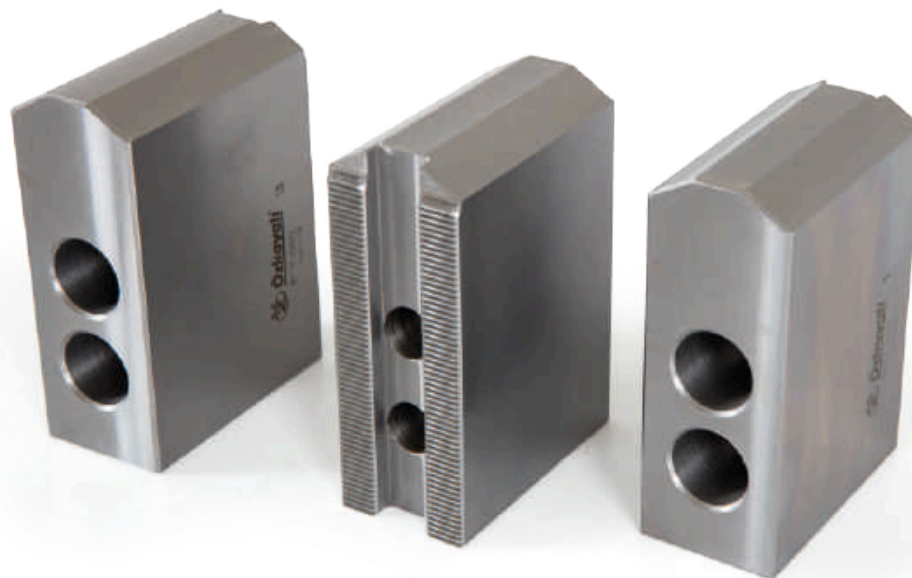


# High Soft Jaws Type 01

Ψ - / Series



Order Code	Dimensions													Weight
	Chuck Dia	Serration	L	L1	L2	L3	L4	L5	L6	L7	L8	D	d	Kg
Ψ - 060	6"	1.5 X 60°	57	72	30	47	20	12	5	10	15	17	11	2,5
Ψ - 080	8"	1.5 X 60°	67	95	35	50	25	14	5	12	24	19	13	4,5
Ψ - 0100	10"	1.5 X 60°	77	110	40	60	30	16	5	14	30	19	13	7
Ψ - 0120	12"	1.5 X 60°	77	130	50	55	30	18	5	16	30	23	15	10
Ψ - 1200	12"	1.5 X 60°	77	130	50	55	30	21	5	16	30	25	17	10
Ψ - 0150	15"	1.5 X 60°	100	165	60	60	43	22	8	20	37	32	21	20